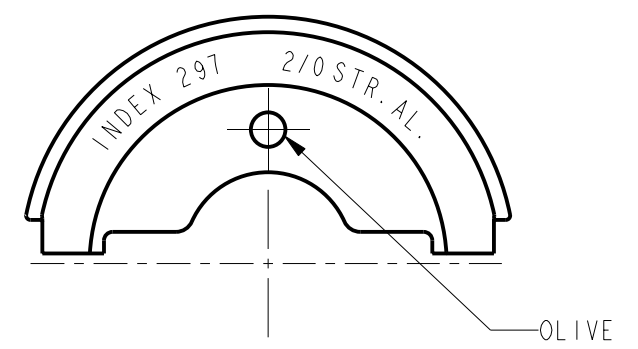
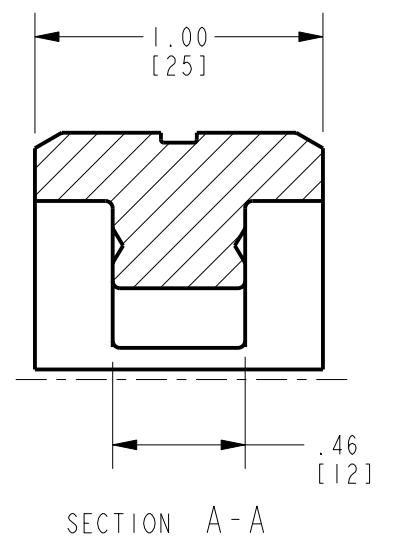
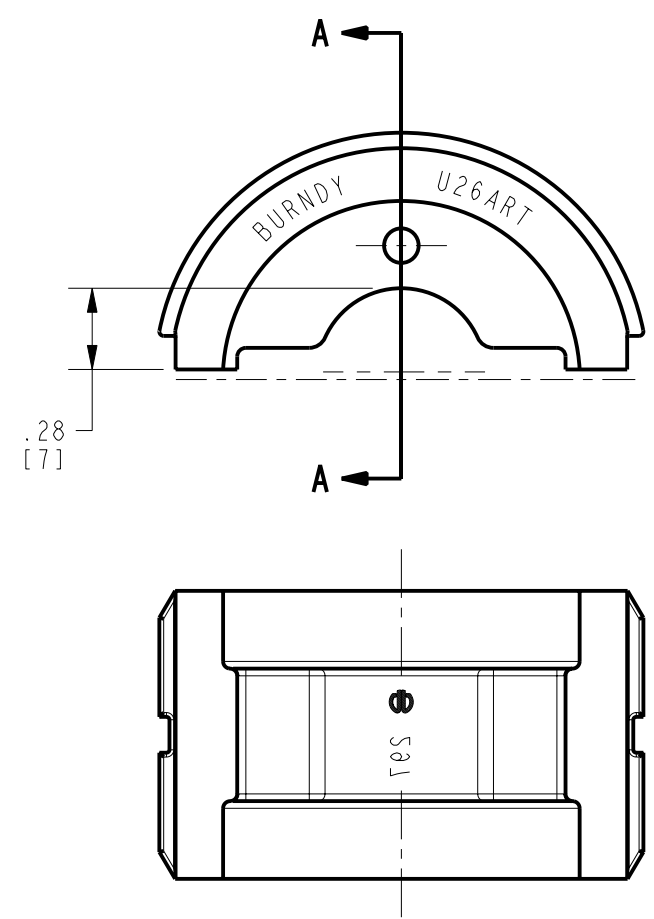


REV.	DATE	DESCRIPTION	ECO	BY	C'H'K.
A	7/6/2009 12:30:00 PM	NEW SALES DRAWING RELEASE	18426	1A	JG



NOTES:

1. DIMENSIONS IN BRACKETS [ ] ARE IN MILLIMETERS ROUNDED OFF TO THE NEAREST MILLIMETER, UNLESS OTHERWISE SPECIFIED, AND ARE FOR REFERENCE ONLY.
2. DIE INSPECTION GAGE CATALOG NUMBER (CUSTOMER & ENGINEERING USE ONLY): UPG297.
3. MATERIAL: STAINLESS STEEL.

TO ORDER BURNDY® PRODUCTS CALL  
 UNITED STATES:  
 1-800-346-4175 (LONDONDERRY, NH)  
 CANADA:  
 1-800-361-6975 (QUEBEC)  
 1-800-387-6487 (ALL OTHER PROVINCES)  
 FOR PRODUCT INFO: <http://www.burndy.com>

CIRCULAR BUTTING TWIN DIE	
ITEM NO: --	
CAT. NO: U26ART	
DRAWN BY: I. ANBALAGAN 06/29/09	
CHECKER: --	
DSN APPVL: --	
MFG APPVL: --	
QA APPVL: --	
MKT APPVL: --	
PROD FAM: TOOLS-HYDRAULIC/U-DIES	SCALE: 3:2
PROJECT #: --	DRAWING NO
DOCUMENT TYPE: Sales	10102835
REL LEVEL: Released	SIZE B
	SHEET 1 OF 1



REV: PE0200